

FK-70L
进 取 不 止



www.fukeonline.com

fk002@fukebn.com

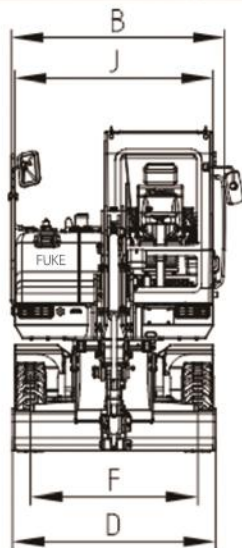
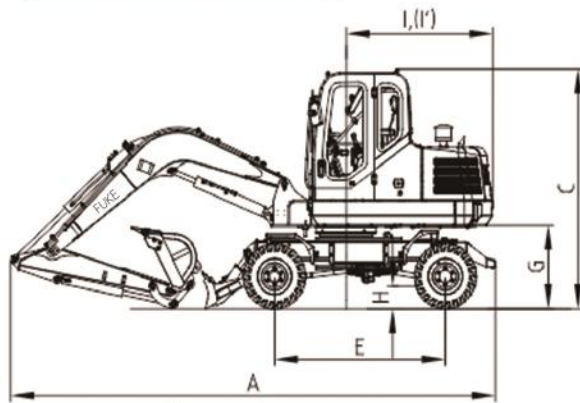
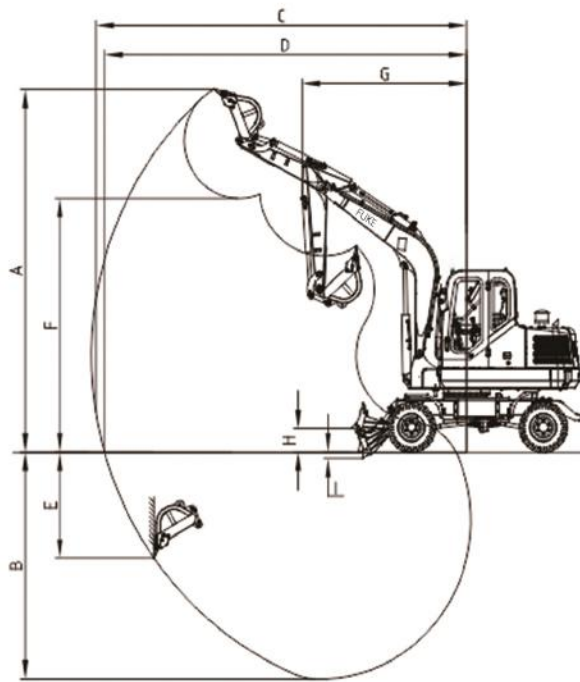
FK70-9L

Total Weight: 6600 kg

Standard bucket capacity: 0.23 m³

Rated power: 45/2200 kW/rpm

- New generation product
- Exquisite
- Reliable structure
- Excellent performance
- Small and efficient
- Convenient maintenance
- Cost-effective



► Technical specifications

Basic parameters

| | |
|--------------------------|---------------------|
| Total Weight | 6600 kg |
| Standard bucket capacity | 0.23 m ³ |

Performance parameter

| | |
|--------------------------------|----------------|
| Engine | Cummins |
| Engine rated power | 45/2200 kW/rpm |
| Gradeability | 70%(35°) |
| Maximum digging force of stick | 26.1 kN |
| Bucket excavation | 39.5 kN |
| Driving speed | 25 km/h |
| Platform rotation speed | 10 rpm |

Job parameters

| | | |
|--------------------------------------|---------|---|
| Maximum digging height | 5780 mm | A |
| Maximum digging depth | 3605 mm | B |
| Maximum digging radius | 6270 mm | C |
| Maximum digging radius on the ground | 6050 mm | D |
| Maximum vertical digging depth | 2765 mm | E |
| Maximum unloading height | 4040 mm | F |
| Minimum radius of gyration | 2750 mm | G |

Transport size

| | |
|----------------------------------|---------|
| Overall length (transport state) | 6235 mm |
| Overall width (transport state) | 1890 mm |
| Overall height (transport state) | 2900 mm |

Other parameters

| | | |
|------------------------------------|---------|---|
| Wheelbase | 2200 mm | E |
| Axle track | 1600 mm | F |
| Counterweight ground clearance | 1020 mm | G |
| Minimum ground clearance | 320 mm | H |
| Tail length | 1890 mm | I |
| Fuel tank capacity | 105 L | |
| Hydraulic oil tank capacity | 110 L | |
| Working pressure of slewing system | 200 bar | |

安徽福客重工设备有限公司
Anhui Fuke Heavy Industry Equipment Co., Ltd.

Contact us:

Phone/Whatsapp:+8613505697380

Email:fk002@fukebn.com/fuke7380@gmail.com

www.fukeonline.com





www.fukeonline.com



Multifunctional Excavator



Optional accessories (for excavators)



Jaw Crusher



**Multifunctional
Crushing Screen**



**Multifunctional
Hydraulic Shears**



Alligator Crusher



**Horizontal
Screening Bucket**



**Rotating
Screening Bucket**



**Hydraulic
Vibration Rammer**



**Slope
Vibration Rammer**



Milling machine



Milling machine



Extended arm



Rippers



**Hydraulic
Wood Clamp**



Steel Scissors



**Mechanical
Crushing Head**



**Mechanical
Wood Clamp**



**Steel
Grabbing Machine**



Shell Bucket



**Hydraulic
Battery Sucker**



**High
Frequency Breaker**





FUKE 福客®



Jaw Crusher



Multifunctional
Crushing Screen



Hydraulic
Wood Clamp



Rotating
Screening Bucket



Multifunctional
Hydraulic Shears



Milling Machine

ANHUI FUKE HEAVY INDUSTRY EQUIPMENT CO., LTD.

安徽福客重工设备有限公司

WWW.FUKEONLINE.COM
Email:fk002@fukebn.com
Whatsapp:+8613505697380

