

FK35SR

**Boutique Manufacturing
Conquer the word with Quality**



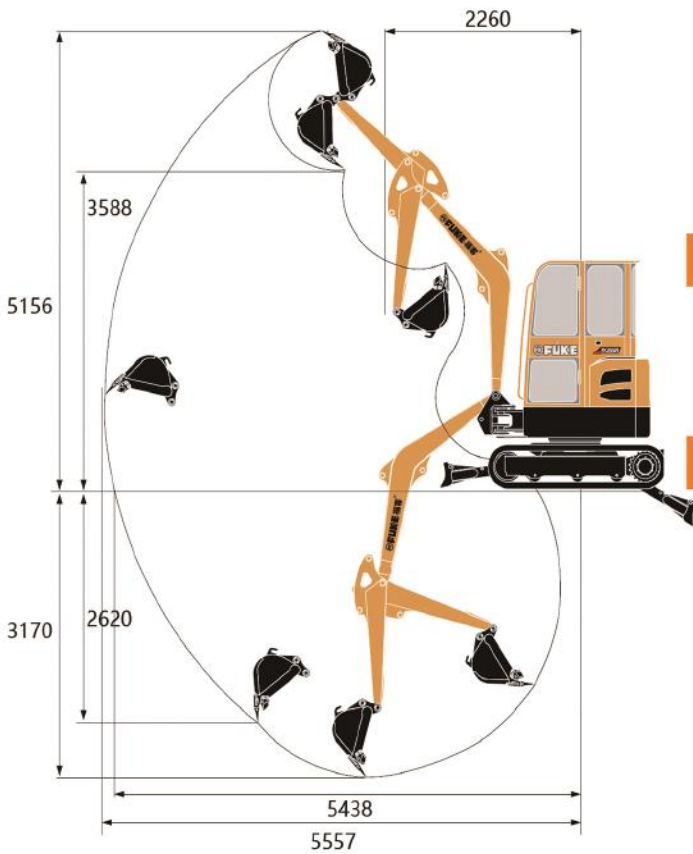
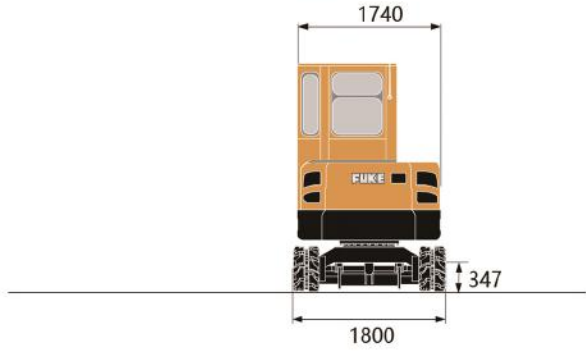
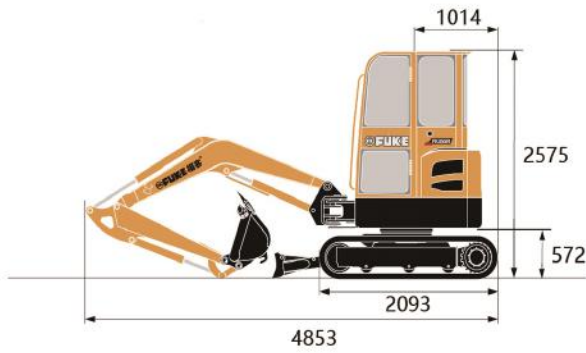
FK35SR

Total Weight: 3860 kg

Standard bucket capacity: 0.12 m³

Rated power: 18.2/2200 kW/rpm

- New generation product
- Excellent work performance
- Wide application conditions
- Exquisite
- Low fuel consumption
- High efficiency
- Easy maintenance



► Technical specifications

Basic parameters

Total Weight	3860 kg
Standard bucket capacity	0.12 m ³

Performance parameter

Engine	Yanmar
Engine rated power	18.2/2200 kW/rpm
Gradeability	35 °
Maximum digging force of stick	25.8 kN
Bucket excavation	32.7 kN
Driving speed	3.1/4.8 km/h
Platform rotation speed	11-13 rpm

Job parameters

Maximum digging height	5156 mm
Maximum digging depth	3170 mm
Maximum digging radius	5557 mm
Maximum ground excavation radius	5438 mm
Maximum unloading height	3588 mm
Minimum radius of gyration	2260 mm
Maximum vertical digging depth	2620 mm

Transport size

Overall length (transport state)	4853 mm
Overall width (transport state)	1740 mm
Overall height (transport state)	2575 mm

Other parameters

Track width	1800 mm
Track length	2093 mm
Minimum ground clearance	347 mm
Balance weight off the ground	572 mm
Radius of tail gyration	1014 mm
Fuel tank capacity	52 L
Hydraulic oil tank capacity	40 L

安徽福客重工设备有限公司
Anhui Fuke Heavy Industry Equipment Co., Ltd.

Contact us:

Phone/WhatsApp: +8613505697380

Email: fk002@fukebn.com/fuke7380@gmail.com

www.fukeonline.com

