

FK **FUKE** 福客®

FK35-9

**Boutique Manufacturing
Conquer the word with Quality**



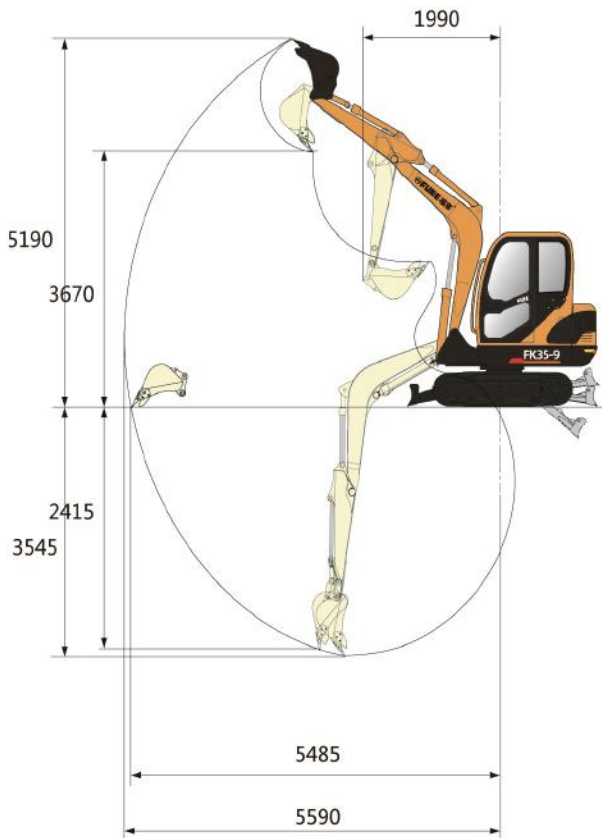
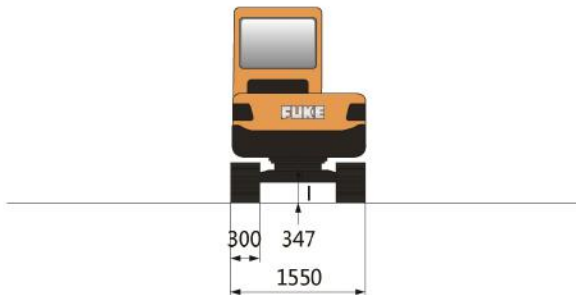
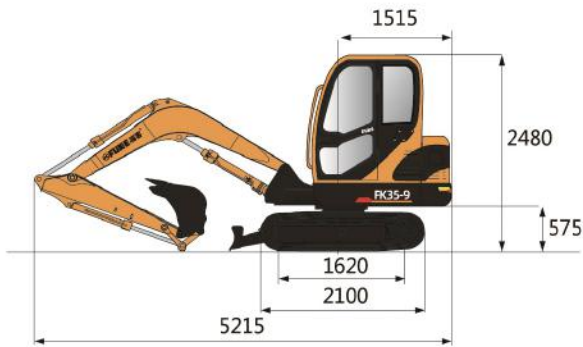
FK35-9

Total Weight: 3800 kg

Standard bucket capacity: 0.12 m³

Rated power: 30.7/2200 kW/rpm

- New generation product
- Full upgrade of details
- Excellent work performance
- No tail design
- Comfortable driving experience
- Low fuel consumption
- High efficiency



► Technical specifications

Basic parameters

Total Weight	3800 kg
Standard bucket capacity	0.12 m ³
Standard bucket width	626 mm

Performance parameter

Engine	Kubota
Engine rated power	30.7/2200 kW/rpm
Gradeability	30 °
Maximum digging force of stick	17.4 kN
Maximum digging force of bucket	22.19 kN
Driving speed	3.4/4.8 km/h
Main traction force	34-19 kN
Platform rotation speed	11-13 rpm

Job parameters

Maximum digging height	5190 mm
Maximum digging depth	3545 mm
Maximum digging radius	5590 mm
Maximum ground excavation radius	5485 mm
Maximum unloading height	3670 mm
Minimum radius of gyration	1990 mm
Maximum vertical digging depth	2415 mm

Transport size

Overall length (transport state)	5215 mm
Overall width (transport state)	1550 mm
Overall height (transport state)	2480 mm

Other parameters

Track width	1522 mm
Track length	2100 mm
Track shoe width	300 mm
Minimum ground clearance	347 mm
Balance weight off the ground	575 mm
Radius of tail gyration	1515 mm
Track wheelbase	1620 mm
Fuel tank capacity	48.5 L
Hydraulic oil tank capacity	54.5 L

安徽福客重工设备有限公司
Anhui Fuke Heavy Industry Equipment Co., Ltd.

Contact us:
Phone/Whatsapp:+8613505697380
Email:fk002@fukebn.com/fuke7380@gmail.com

www.fukeonline.com

