

FK **FUKE** 福客®

FK16-9

Boutique Manufacturing
Conquer the word with Quality



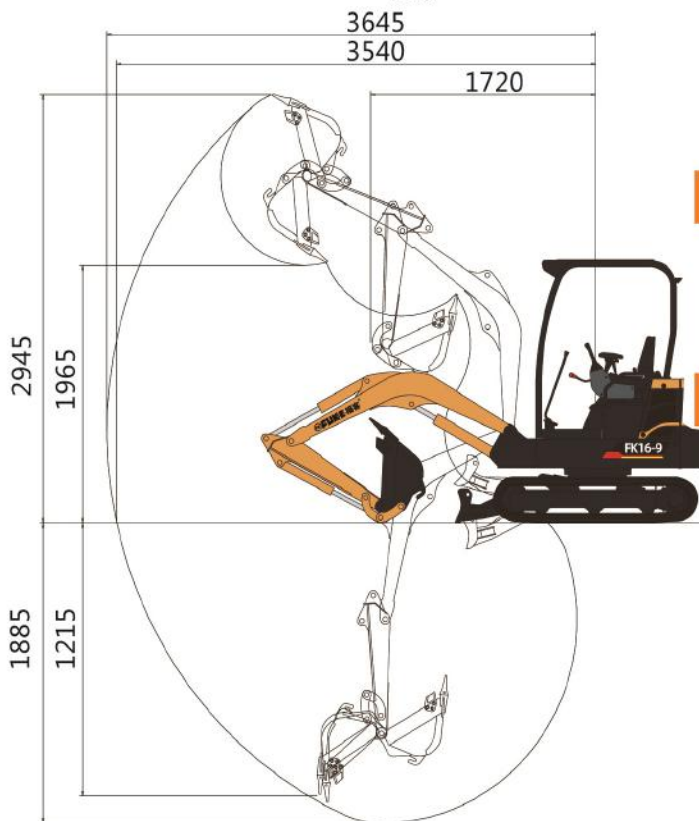
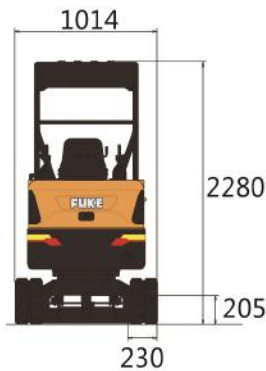
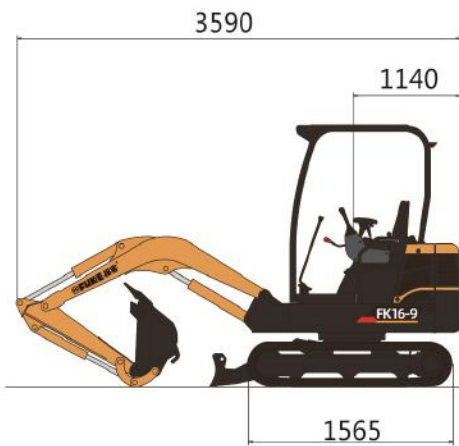
FK16-9

Total Weight: 1750 kg

Standard bucket capacity: 0.05 m³

Rated power: 14.8/2200 kW/rpm

- New generation product
- Exquisite
- Reliable structure
- Excellent performance
- Small and efficient
- Convenient maintenance
- Cost-effective



► Technical specifications

Basic parameters

Total Weight	1750 kg
Standard bucket capacity	0.05 m ³

Performance parameter

Engine	Laidong
Engine rated power	14.8/2200 kW/rpm
Gradeability	30 °
Maximum digging force of stick	8 kN
Bucket excavation	12.5 kN
Driving speed	2 km/h
Platform rotation speed	9-11 rpm

Job parameters

Maximum digging height	2945 mm
Maximum digging depth	1885 mm
Maximum digging radius	3645 mm
Maximum ground excavation radius	3540 mm
Maximum unloading height	1965 mm
Minimum radius of gyration	1720 mm
Maximum vertical digging depth	1215 mm

Transport size

Overall length (transport state)	3590 mm
Overall width (transport state)	1014 mm
Overall height (transport state)	2280 mm

Other parameters

Track width	990 mm
Track length	1565 mm
Track shoe width	230 mm
Minimum ground clearance	190 mm
Balance weight off the ground	470 mm
Radius of tail gyration	1140 mm
Fuel tank capacity	20 L
Hydraulic oil tank capacity	22 L

安徽福客重工设备有限公司
Anhui Fuke Heavy Industry Equipment Co., Ltd.

Contact us:

Phone/Whatsapp:+8613505697380

Email:fk002@fukebn.com/fuke7380@gmail.com

www.fukeonline.com

