

**FK** **FUKE** 福客®

**FK08-9**

*Boutique Manufacturing  
Conquer the word with Quality*



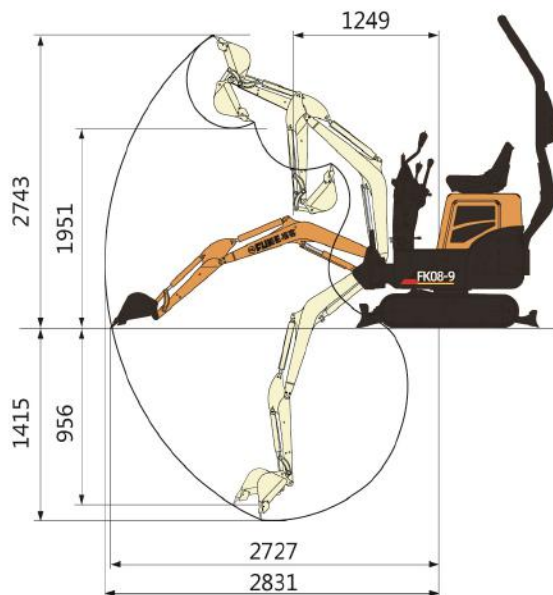
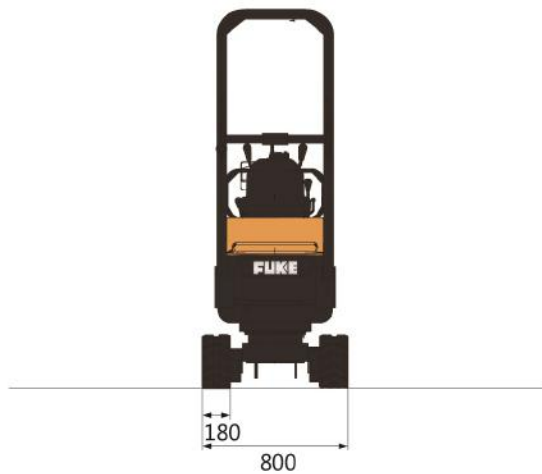
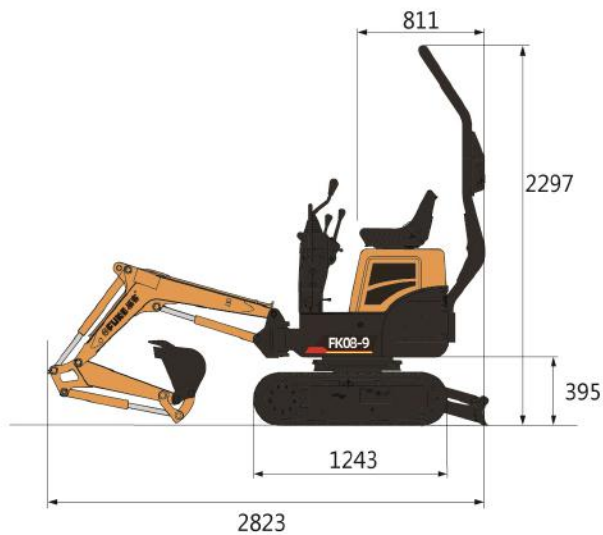
# FK08-9

Total Weight: 1000 kg

Standard bucket capacity: 0.02 m<sup>3</sup>

Rated power: 7.3/2400 kW/rpm

- New generation product
- Exquisite
- Reliable structure
- Excellent performance
- Small and efficient
- Convenient maintenance
- Cost-effective



## ► Technical specifications

### Basic parameters

Total Weight	1000 kg
Standard bucket capacity	0.02 m <sup>3</sup>

### Performance parameter

Engine	Yanmar
Engine rated power	7.3/2400 kW/rpm
Gradeability	27°
Maximum digging force of stick	5.45 kN
Bucket excavation	8.38 kN
Driving speed	1.6/2.6 km/h
Platform rotation speed	9-11 rpm

### Job parameters

Maximum digging height	2743 mm
Maximum digging depth	1415 mm
Maximum digging radius	2831 mm
Maximum ground excavation radius	2727 mm
Maximum unloading height	1951 mm
Minimum radius of gyration	1249 mm
Maximum vertical digging depth	956 mm

### Transport size

Overall length (transport state)	2823 mm
Overall width (transport state)	800 mm
Overall height (transport state)	2297 mm

### Other parameters

Track width	930 mm
Track length	1243 mm
Track shoe width	180 mm
Minimum ground clearance	158 mm
Balance weight off the ground	395 mm
Radius of tail gyration	811 mm
Fuel tank capacity	7.5 L
Hydraulic oil tank capacity	9 L

**安徽福客重工设备有限公司**  
Anhui Fuke Heavy Industry Equipment Co., Ltd.

Contact us:

Phone/Whatsapp:+8613505697380

Email:fk002@fukebn.com/fuke7380@gmail.com

www.fukeonline.com

