

**FK14-91200**

进取不止



[www.fukeonline.com](http://www.fukeonline.com)

[fk002@fukebn.com](mailto:fk002@fukebn.com)



## Basic Information

Rated loading weight

**12000kg**

Max. turning angle

**35°±1**

Height of shovel blade

**1000mm**

Max. speed

**33km/h**

Rated power

**250KW**

Overall weight

**32000kg**

[www.fukeonline.com](http://www.fukeonline.com)

[fk002@fukebn.com](mailto:fk002@fukebn.com)

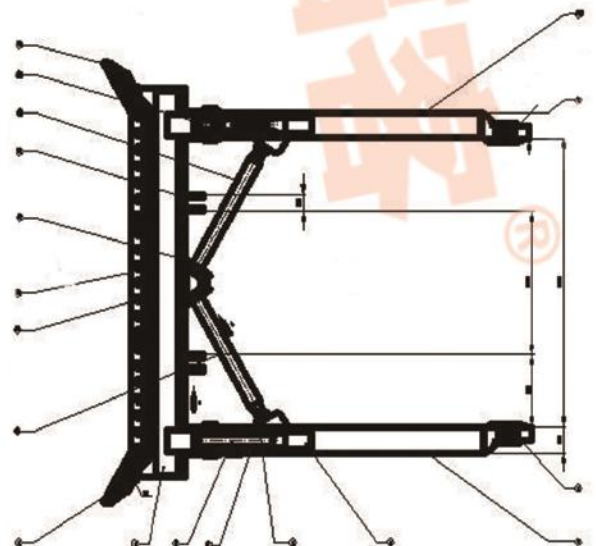
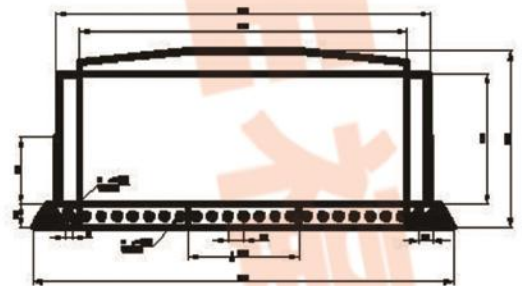
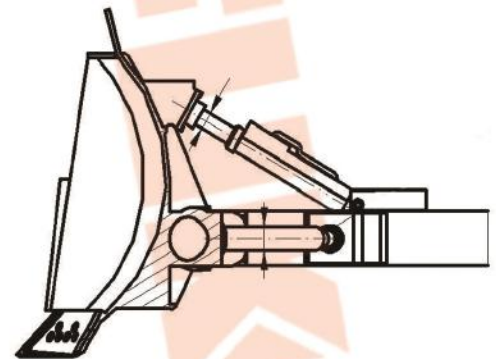
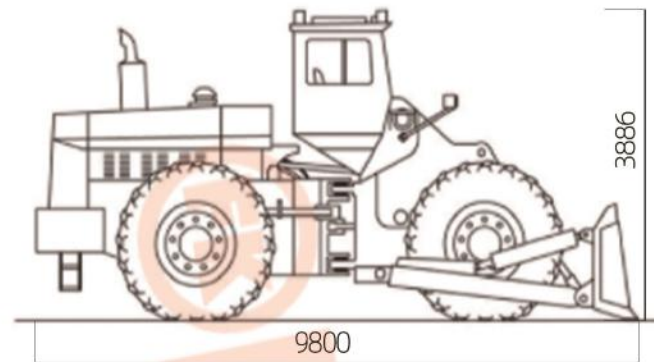


# Technical Specification

Engine model	Yuchai
Power	250/2100 kw/r/min
Rated loading weight	12000kg
Height of shovel blade (mm)	1000
Blade width(mm)	3600
Steering system Pattern	Full hydraulic steering system
Min. turning radius (outside of bucket)	7268mm
Max. turning angle	35°±1
Implement pump	FUKE
Displacement	250L/min
System working pressure	20.3MPa
Distribution device model	FK32
Pilot valve model	Fuke
Brake system	Air assisted oil disc on four wheel
Parking brake	Air cutting control inner expand hoof
Max. speed	33 km/h
Maximum down depth of dozer blade	400 mm
Overall length	9800 mm
Overall width	3606 mm
Overall height	3886 mm
Overall weight	32000 kg



# Outline



\*We follows the principle of continuous improvement Product performance parameters will be partially changed due to technical improvements without prior notice.

