

FK14-150T



Basic Information

Operating weight

22T

Max. Gradeability

21°

Max. lifting capacity

15.7t

Track width

500mm

Rated power

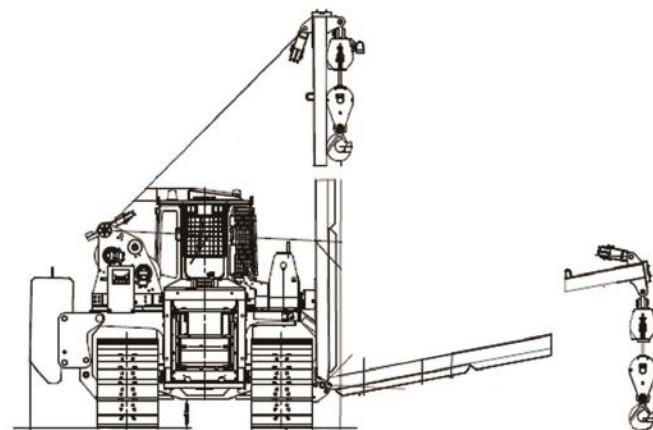
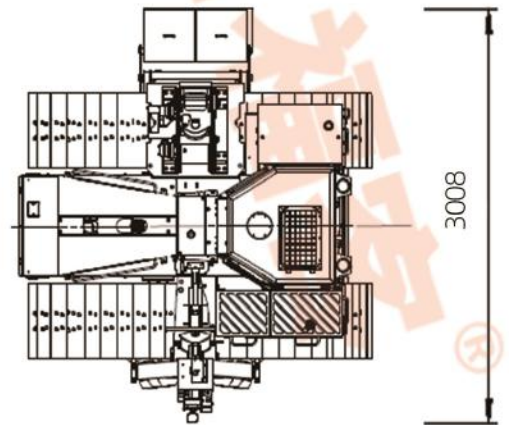
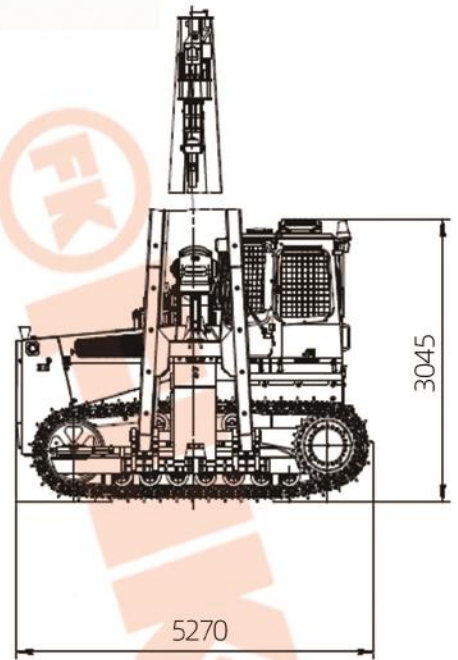
115KW

Rated rotary speed

1800rpm

Equipment model	FK14-150T
Max. lifting capacity	15.7t
Rated lifting capacity	13.3 t
Equipment weight	22t
Shipping outline dimension for main equipment (LxWxH)	5270 mm×3008 mm×3045 mm
Shipping weight for main equipment	18.2t
Average ground pressure	81 kPa
Min. ground clearance	492
Max. Gradeability	21 °
Applicable environment	Location where the temperature is between -40°C~+60°C and altitude below 3000m
Engine Model	Yuchai
Rated power	115kW
Rated rotary speed	1800rpm
Traveling System Chassis	Chassis specially sued for pipe hanging machine
Mode of operation	Joystick
Theoretical speed	
Forward (shift 5)	2.5-10.5 km/h
Backward (shift 4)	3.5-10.5 km/h
Track on the ground	2570 mm
Track width	500 mm
Number of track rollers	7×2

Product Features	Excellent efficiency
	Booster
	Car air conditioner
	Protective Device
	GPS positioning
	On-board repair tools
	Fire extinguisher
	Comfortable operation
	Safe performance
	High efficiency
	Strong bearing



*We follows the principle of continuous improvement Product performance parameters will be partially changed due to technical improvements without prior notice.

