



Boutique Manufacturing,
Conquer The World with Quality



FUKE 福客®

FK-300Y



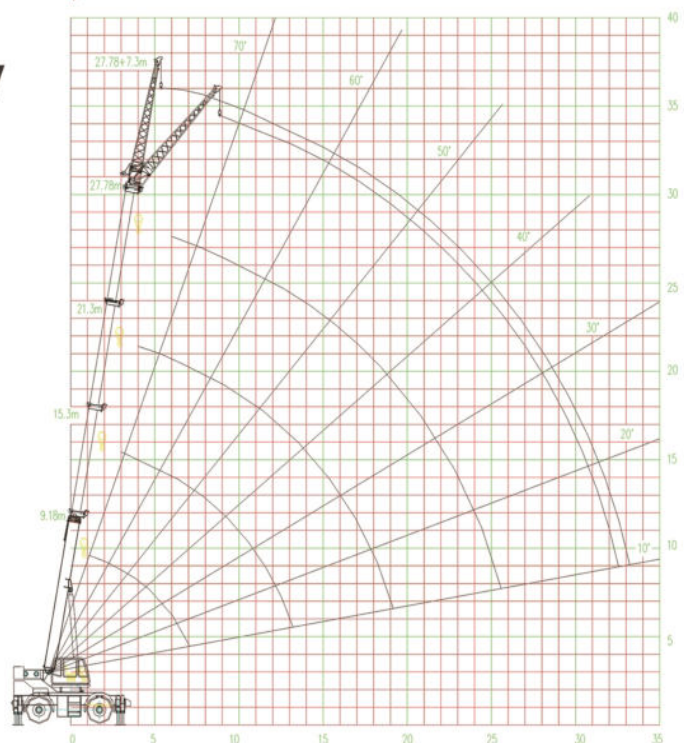
Lifting Performance Parameter Table

Maximum rated total lifting capacity
30T

Maximum gradeability
55%

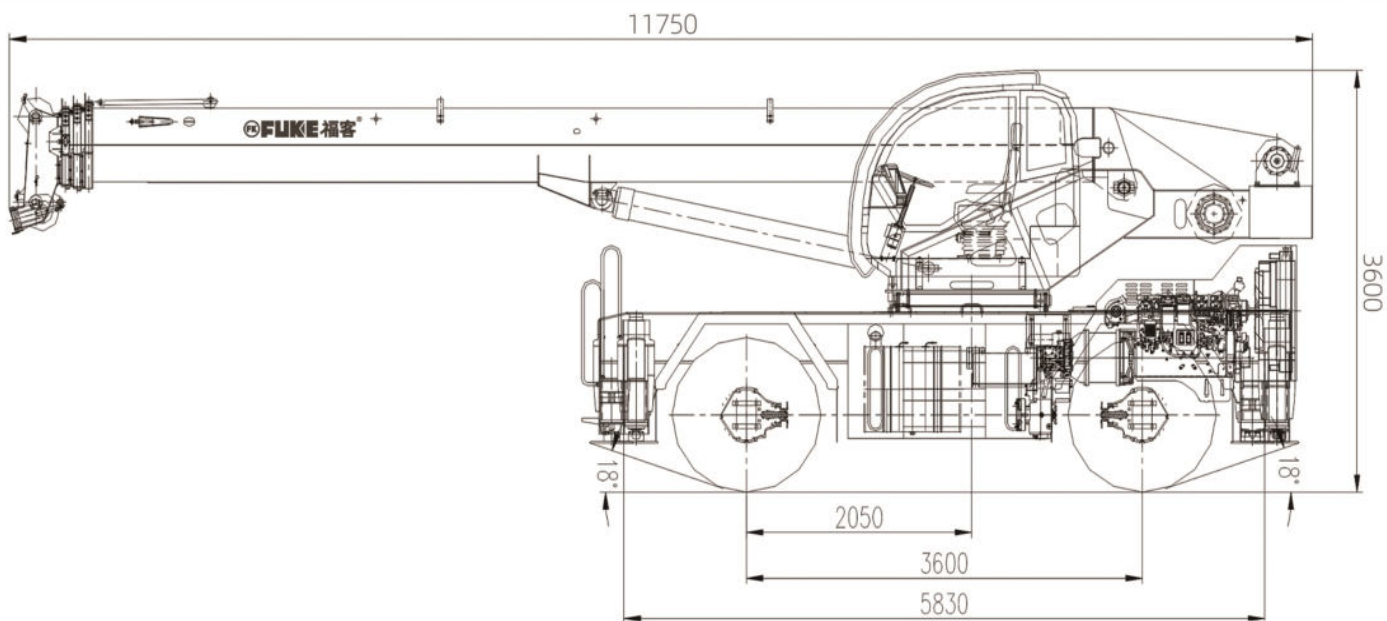
Total weight
27700kg

Lifting Performance Graph



NOTE

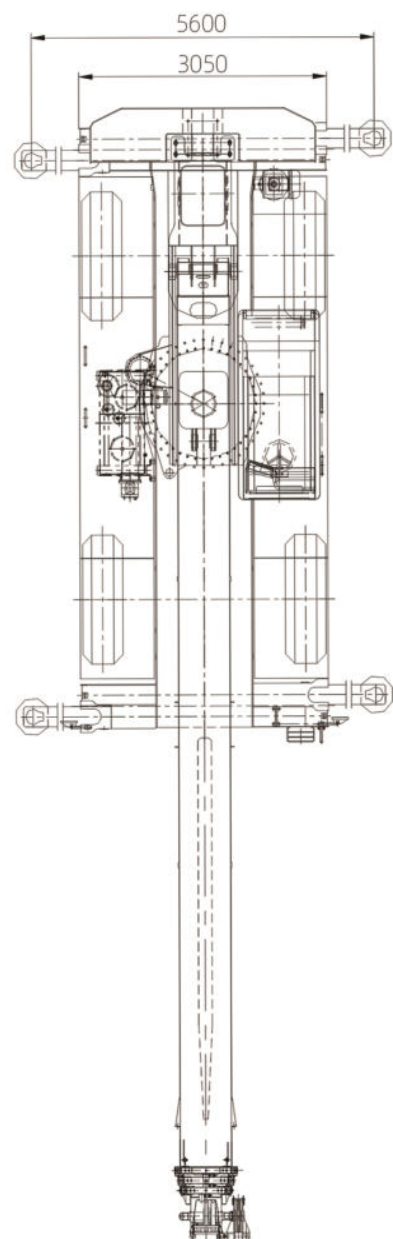
The lifting height and working amplitude in this graph are the theoretical values when the hook is empty, and there is a certain deviation from the actual values. Please refer to the actual value when working.



Technical Parameters



Overall length*width*height	11750*3050*3600 mm
Wheelbase	3600 mm
Axle track	2500 mm
The weight of the whole machine	27700 kg
Engine rated power	169/2500 Kw/(r/min)
Engine torque	900/1200~1700 N.m(r/min)
Maximum rated total lifting capacity	30 t
Rated working range	3 m
Maximum travel speed	40 Km/h
Drive type	4x4
Tire specifications	16.00-25 (28PR)
Turntable tail radius of gyration	3.53 m
Approach angle	21°
Departure angle	21°
Braking distance (vehicle speed is 30Km/h)	≤9 m
Maximum grade	55 %
Maximum noise outside the machine when accelerating	84 dB(A)
Maximum turning speed	2.0 r/min
Outrigger distance(Vertical/Horizontal)	6.08/6.5 m
Boom length(Basic arm/Longest main boom/Longest main boom + jib)	9.18/27.78/35.08 m



*We follows the principle of continuous improvement Product performance parameters will be partially changed due to technical improvements without prior notice.



Contact us:

Phone/Whatsapp:+8613505697380

Email:fk002@fukebn.com/fuke7380@gmail.com