

**FUKE** Boutique Manufacturing,  
Conquer The World with Quality

**FUKE 福客**

# FK-250Y



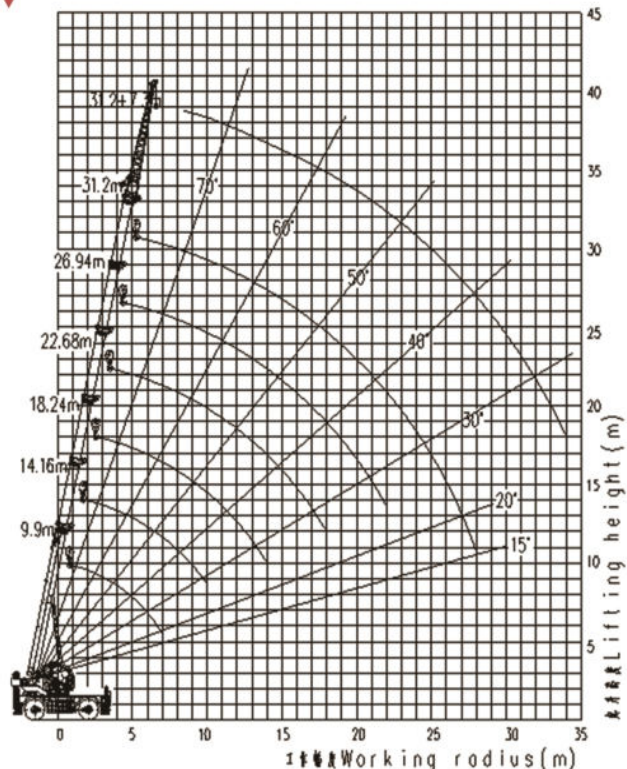
## Lifting Performance Parameter Table

Maximum rated total lifting capacity  
**25T**

Maximum gradeability  
**50%**

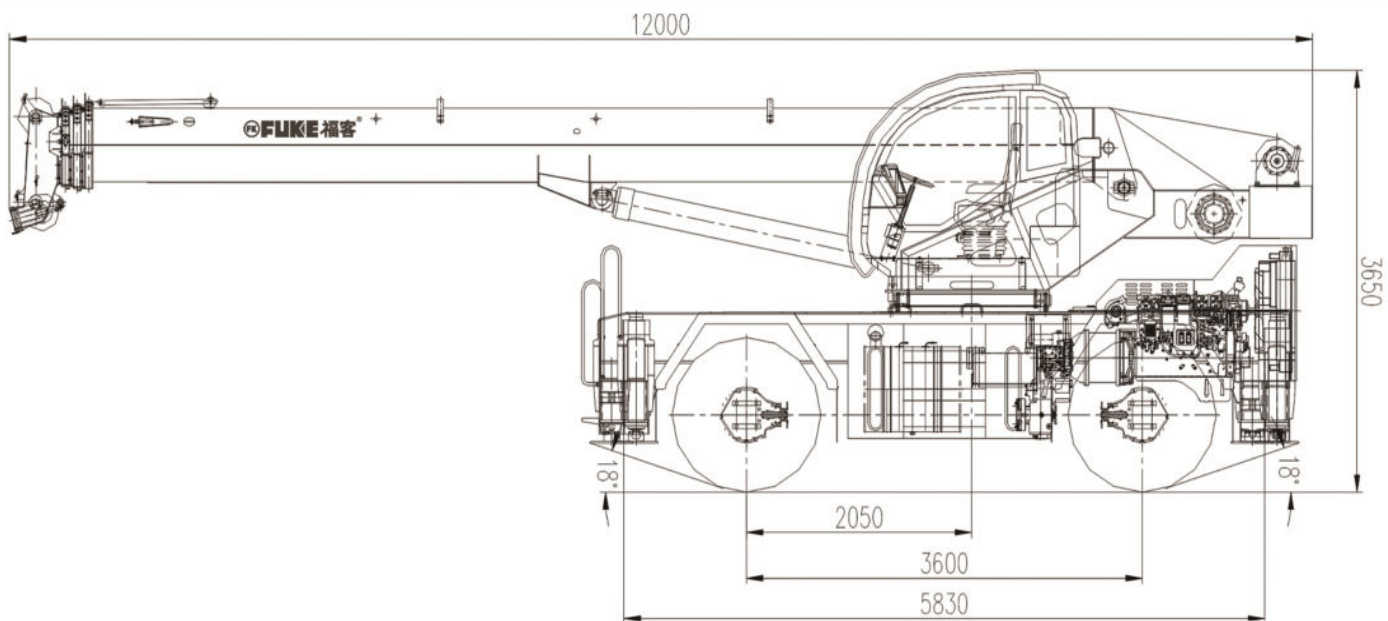
Total weight  
**26400kg**

## Lifting Performance Graph



NOTE: The lifting height and working amplitude in this graph are the theoretical values when the hook is empty, and there is a certain deviation from the actual values. Please refer to the actual value when working.

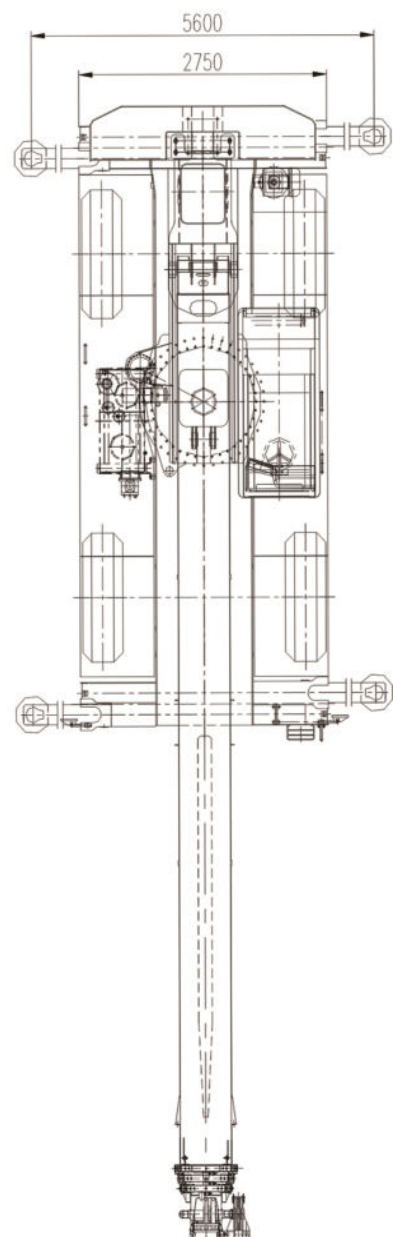




## Technical Parameters



Overall length*width*height	12000*2750*3650 mm
Wheelbase	3600 mm
Axle track	2250 mm
The weight of the whole machine	26400 kg
Engine rated power	140/2200 Kw/(r/min)
Engine torque	760/1400~1600 N.m(r/min)
Maximum rated total lifting capacity	25 t
Rated working range	3 m
Maximum travel speed	40 Km/h
Minimum turning diameter	9.65 m
Turntable tail radius of gyration	3.23 m
Minimum ground clearance	315 mm
Approach angle	18°
Departure angle	18°
Braking distance (vehicle speed is 30Km/h)	≤8.5 m
Maximum grade	50 %
Maximum noise outside the machine when accelerating	84 dB(A)
Maximum turning speed	2.0 r/min
Lifting height(Basic arm/Longest main boom/Longest main boom + jib)	10/30.7/39 m
Boom length(Basic arm/Longest main boom/Longest main boom + jib)	9.9/31.2/38.5 m



\*We follows the principle of continuous improvement Product performance parameters will be partially changed due to technical improvements without prior notice.



Contact us:

Phone/Whatsapp:+8613505697380

Email:fk002@fukebn.com/fuke7380@gmail.com