

FK11-12T



FUKU FK11-5T *Basic Information* 

Rated capacity
12000kg

Service weight
14500kg

Rated output/r.p.m
110/2200kw/rpm

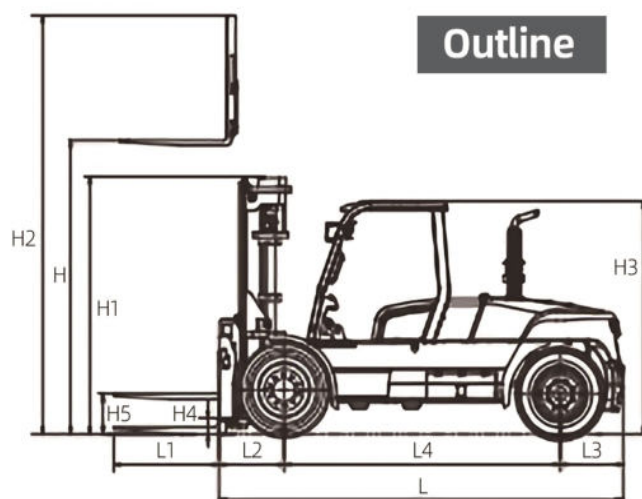


Customization and assistive devices 



Technical Specification

Model	FK11-12T	
Power Type	Diesel	
Rated Capacity	12000 kg	
Load Centre	600 mm	
Service Weight	14500 kg	
Tyre Size(Front)	11.00-20-16PR	
Tyre Size(Rear)	9.00-20	
Front Tread	1600 mm	W1
Rear Tread	1700 mm	W2
Wheelbase	3200 mm	L4
Fork Size(LxWxT)	1520x180x100 mm	L1
Mast Tilt Angle (F/R)	6/12 deg	α/β
Lift Height	3000 mm	H
Mast Lowered Height	3080 mm	H1
Free Lift Height	230 mm	H5
Mast Extended Height	4500 mm	H2
Length to Face of Fork	4685 mm	L
Overall width	2200 mm	W
Overhead Guard Height	2540 mm	H3
Front Overhang	754 mm	L2
Rear Overhang	730 mm	L3
Turning Radius (outside)	4700 mm	r
Ground Clearance (Bottom at mast)	230 mm	H4
Min. Intersecting aisle	4200 mm	Ra
Min. Right angle stacking aisle width	7190 mm	RASA
Max. Travel Speed (Full load/No load)	28/30 km/h	
Lifting Speed(Full load/No load)	270/350 mm/s	
Lowering Speed (Full load/No load)	$\leq 600 / \geq 300$ mm/s	
Max. Gradeability (Full load)	20%	
Engine Model	Yuchai	
Rated output/r.p.m	110/2200 kw/rpm	
Rated torque/r.p.m	600/1600-1800 Nm/rpm	
No. of cylinder	6	
Bore x stroke	105x125 mm	
Displacement	6.494 L	
Fuel Tank Capacity	150 L	
Battery (Vollage/capacity)	2x12/80 V/Ah	

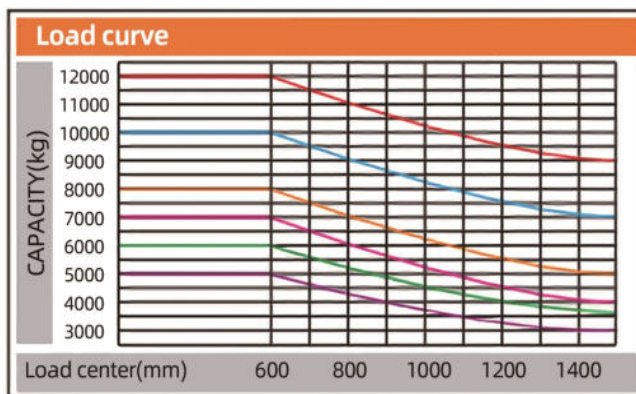
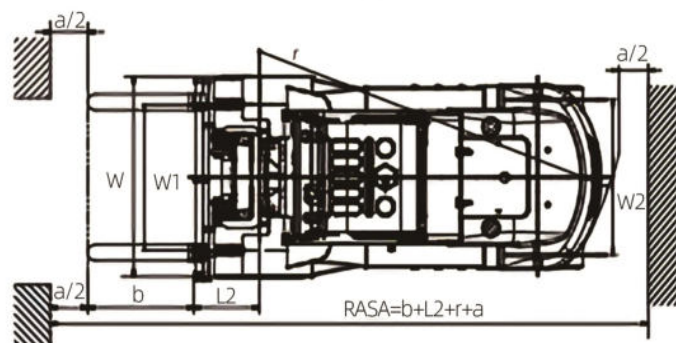


Outline

RASA Right-Angle Stack Aisle

a: Safety Clearance

b: Load Length



Note:

Capacities shown are computed with upright in vertical position. Based on a 1000 mm cube load configuration with the center of gravity at the true center of the cube and standard forks. Truck capacities with upright in forward tilt position will be less. Long forks and unusually wide or loads may also reduce capacity.

*We follows the principle of continuous improvement Product performance parameters will be partially changed due to technical improvements without prior notice.

