

**FK11-3T**



FUKE FK11-3T **Basic Information** 

Rated capacity  
**3000kg**

Service weight  
**4250kg**

Rated output/r.p.m  
**36.8/2650kw/rpm**



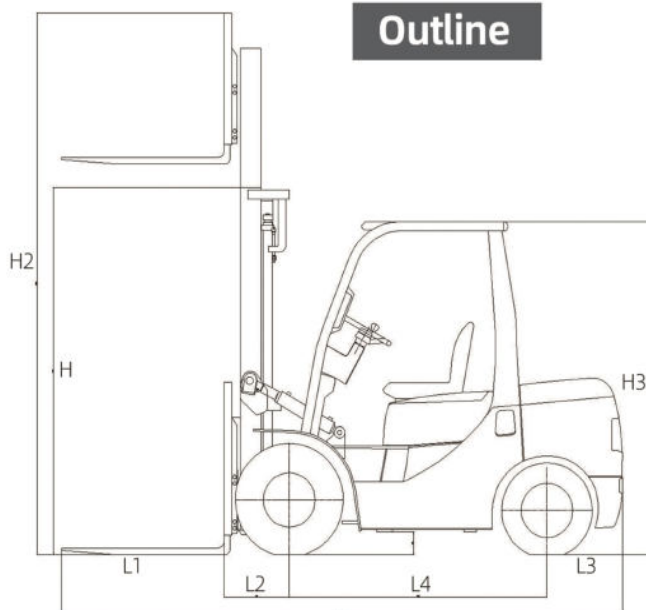
Customization and assistive devices 



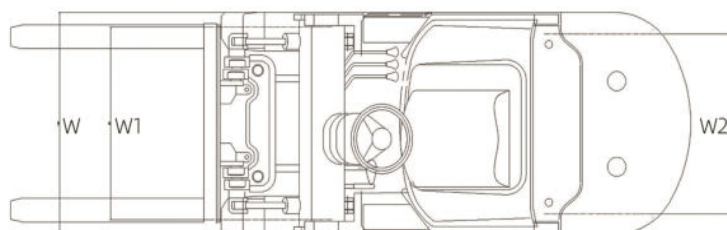
## Technical Specification

|                                       |                            |                |
|---------------------------------------|----------------------------|----------------|
| Model                                 | FK11-3T                    |                |
| Power Type                            | Diesel                     |                |
| Rated Capacity                        | 3000 kg                    |                |
| Load Centre                           | 500 mm                     |                |
| Service Weight                        | 4250 kg                    |                |
| Tyre Size(Front)                      | 28x9-15-14PR               |                |
| Tyre Size(Rear)                       | 6.50-10-10PR               |                |
| Front Tread                           | 1000 mm                    | W1             |
| Rear Tread                            | 970 mm                     | W2             |
| Wheelbase                             | 1700 mm                    | L4             |
| Fork Size(LxWxT)                      | 1070x125x45 mm             | L1             |
| Mast Tilt Angle (F/R)                 | 6/12 deg                   | $\alpha/\beta$ |
| Lift Height                           | 3000 mm                    | H              |
| Mast Lowered Height                   | 2115 mm                    | H1             |
| Free Lift Height                      | 125 mm                     | H5             |
| Mast Extended Height                  | 4150 mm                    | H2             |
| Length to Face of Fork                | 2730 mm                    | L              |
| Overall width                         | 1225 mm                    | W              |
| Overhead Guard Height                 | 2150 mm                    | H3             |
| Front Overhang                        | 480 mm                     | L2             |
| Rear Overhang                         | 550 mm                     | L3             |
| Turning Radius (outside)              | 2420 mm                    | r              |
| Ground Clearance (Bottom at mast)     | 140 mm                     | H4             |
| Min. Intersecting aisle               | 2490 mm                    | Ra             |
| Min. Right angle stacking aisle width | 4110 mm                    | RASA           |
| Max. Travel Speed (Full load/No load) | 19/20 km/h                 |                |
| Lifting Speed(Full load/No load)      | 510/550 mm/s               |                |
| Lowering Speed (Full load/No load)    | $\leq 600 / \geq 300$ mm/s |                |
| Max. Gradeability (Full load)         | 20%                        |                |
| Engine Model                          | Yuchai                     |                |
| Rated output/r.p.m                    | 36.8/2650 kw/rpm           |                |
| Rated torque/r.p.m                    | 156/1700-1900 Nm/rpm       |                |
| No. of cylinder                       | 4                          |                |
| Bore x stroke                         | 90x105 mm                  |                |
| Displacement                          | 2.67 L                     |                |
| Fuel Tank Capacity                    | 60 L                       |                |
| Battery (Vollage/capacity)            | 12/80 V/Ah                 |                |

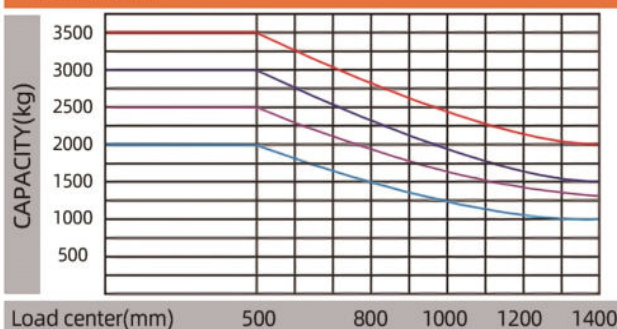
## Outline



RASA Right-Angle Stack Aisle  
 a: Safety Clearance  
 b: Load Length



## Load curve



Note:  
 Capacities shown are computed with upright in vertical position. Based on a 1000 mm cube load configuration with the center of gravity at the true center of the cube and standard forks. Truck capacities with upright in forward tilt position will be less. Long forks and unusually wide or loads may also reduce capacity.

\*We follows the principle of continuous improvement Product performance parameters will be partially changed due to technical improvements without prior notice.

